

ColorSave Micro

Small Dose Gravimetric Feeder



 **LIAD**
Weighing and Control Systems Ltd.

Innovation in Every Dose

“Since installing the ColorSave-Micro on our small product line, we have not had a single reject due to color.”

TAVMedical, Contract Manufacturer of Medical Device Components

The only gravimetric feeder designed specifically for small products!



ColorSave-Micro is the only gravimetric feeder that provides consistent accuracy for small doses, while eliminating many of the tasks associated with calibration and maintenance.

Small Dose Accuracy

With accuracy of a single pellet, the patented ColorSave-Micro uses a single vibrating channel to accurately and consistently deliver the correct dose.

Easy Calibration & Less Maintenance

Calibration and maintenance time is reduced as the single channel is used for all additives, handles all feed rates and is easily cleaned between jobs.

All Additives

ColorSave-Micro supports nearly all additives;

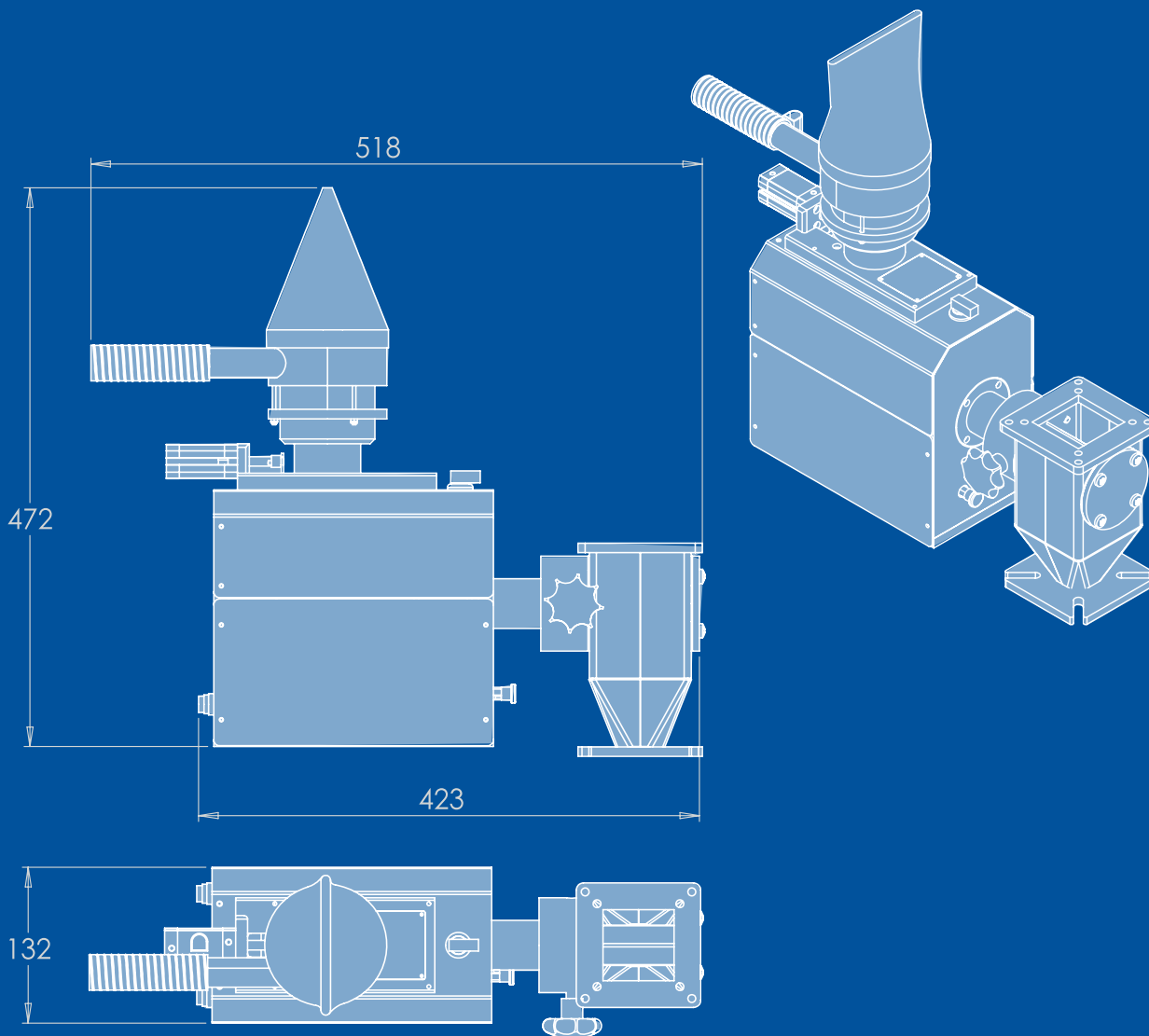
- Pellets
- Regrinds
- Powders
- Micro-granules

Small product manufacturers can finally take a break from manual mixing, difficult calibration, product rejects and over-consumption of masterbatch additive.



Feature	Specification
Hopper	550cc
Output Range	up to 80 g/minute
Dosing Technique	Vibration system
Controller	Separate unit with touchscreen display
Weight Resolution	0.1g
Loader	Optional integrated Venturi loader
Mounting & Feeding	Via neckpiece adapter, directly into machine throat
Alarm Output	N/O dry contact
Weight	7.8 kg
Power	100-240V, 50/60 Hz, 20 V/A

Application Version	Injection Molding	Extrusion	Extrusion Blow Molding
Operation Principle	Batch operation. Online metering and control of additive batches	Continuous operation. Online metering and control of additive flow rate (g/h)	Continuous operation. Online metering and control of additive flow rate (g/h)
Set Point	Setting of desired additive percentage and shot weight	Setting of desired additive flow rate (g/h) or desired percentage from extruder throughput	Setting of desired additive percentage and product weight
Input Signal	Dry contact input for synchronization with plasticizing cycle (and optional with injection cycle)	Dry contact input for synchronization with extruder on/off operation and analog input 0-10v or digital input relative to extruder's speed (rpm)	Dry contact input for synchronization with extruder on/off operation and dry contact input from blowing machine for synchronization with blow cycle
Data Recording	Accumulated number of injection cycles and additive weight as well as average percentage	Accumulated data (total additive consumed)	Accumulated total additive consumed in g and number of cycles
Communication	TCP/IP	Optional TCP/IP	TCP/IP



See the
ColorSave-Micro
in action



LIAD

Weighing and Control Systems Ltd.

Tel: +972-4-9028800 • Fax: +972-4-9028818 • e-mail: prod@liad.co.il
POB 10, Sky St., Misgav Industrial Park 2017400 Israel

www.liad.co.il