

# LETTIT **FLOW**

faster, cooler, quicker..



flosense® 3.0  
DIGITAL FLOW REGULATOR

# DIGITAL FLOW REGULATOR

Complete unit with Pressure sensor  
installed on main inlet.

Retrofit your existing flow regulators  
with FloSense today.

At last you can see real flow measurements at a glance, and use the alarm limits  
(and output) on flow and temperature to control the process stability and part quality.





flow



temperature



pressure

# TOUCH SCREEN

## Upgrade your moulding machine with new digital flow regulator and improve your productivity.

Replacing traditional analogue manual flow regulators with new digital flow regulator will give you many advantages such as:

- Digital monitoring of Flow, Temperature and Pressure
- Alarm Output
- Higher flow capacity
- Higher temperature range
- Data storage and export
- Faster Mould changeovers
- OPC-UA / Euromap interface /

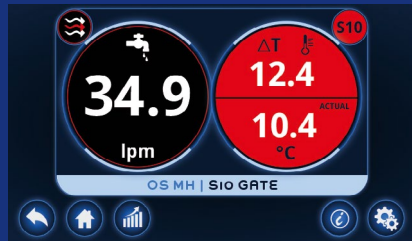
Touch Screen mounted on the manifold.  
Equipped with power, alarm, USB and Ethernet connections.



The main screen will show all circuits with information about flow and temperature. The main inlet and outlet will also show including pressure.



Data is stored in the internal memory and can be displayed in graphical view for each circuit. Data can also be exported for external use.



By clicking on a specific circuit you will see detailed information, including delta T (heat transfer) of the specific channel. Also, turbulent flow indicator is included.



The system is equipped with Audit Log to keep track of all events including user ID tracer.

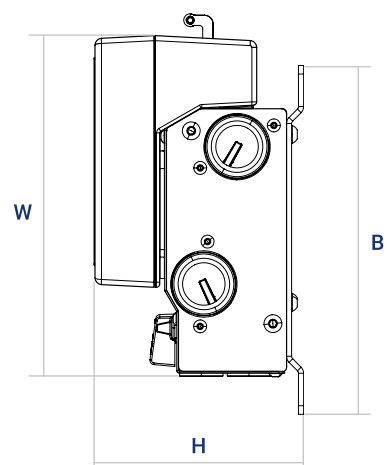
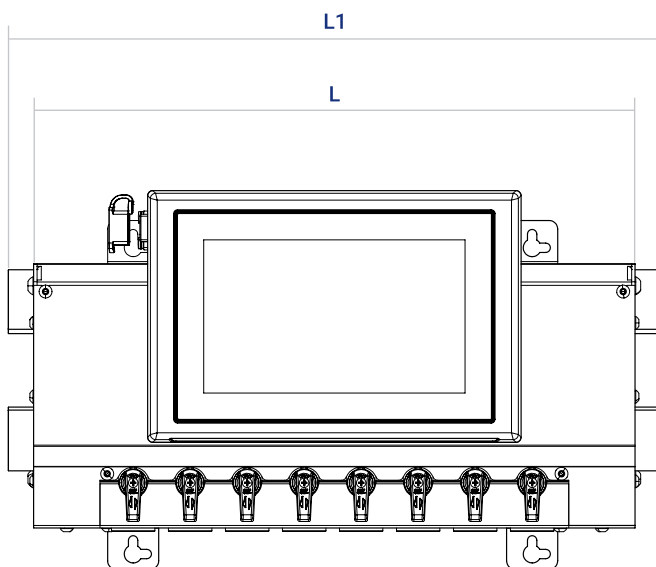
PART NO.	Size	Manifold inputs	Power Connection	Alarm Output	Interface
FS-7100	7,1"	1	12V	Yes	OPC-UA

# CONSTRUCTION

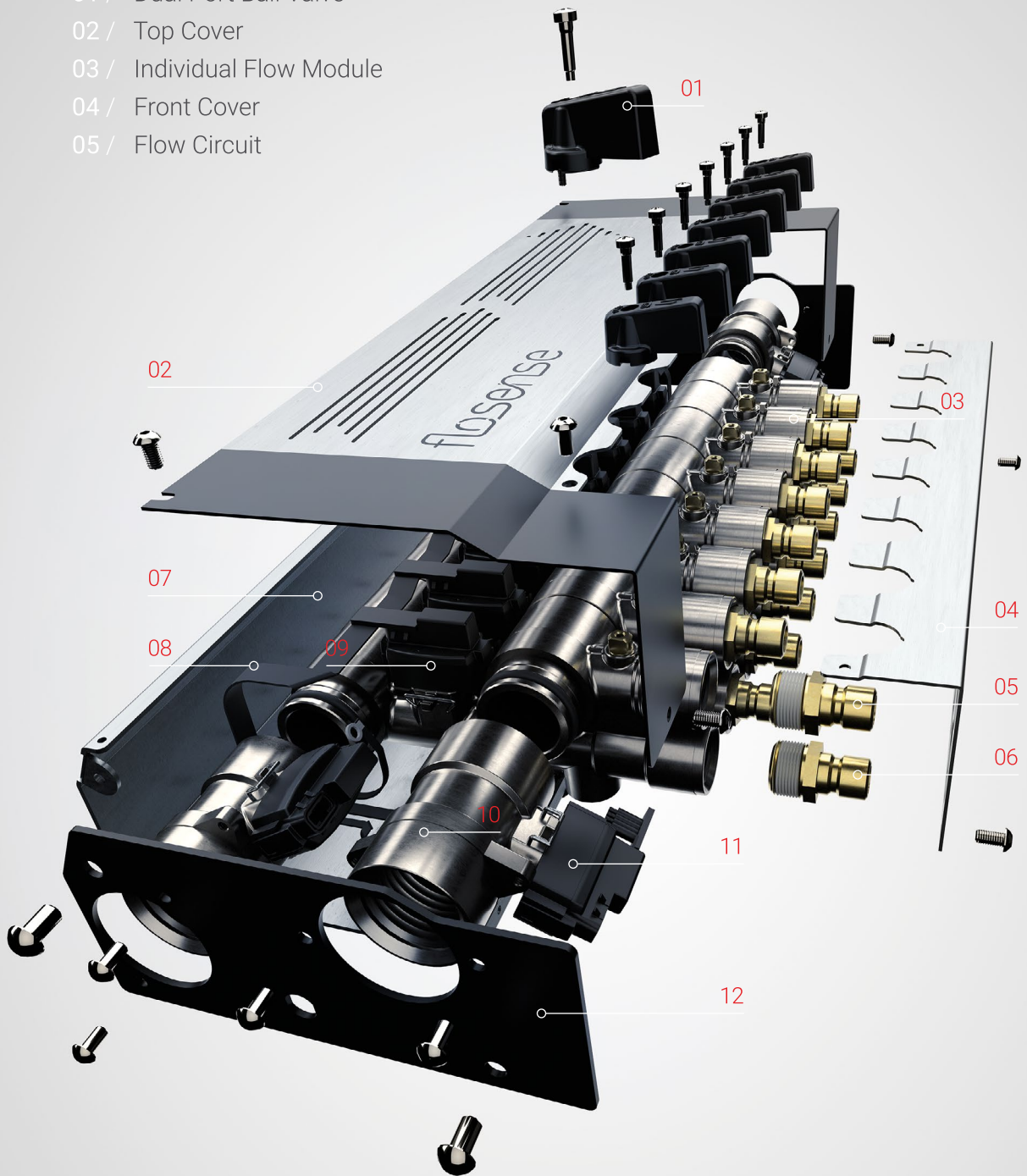
**Material:**

Flow modules: brass / nickel plated /  
Cover: stainless steel

PART NO.	Ports	L / mm /	L1 / mm /	W / mm /	H / mm /	B / mm /
FFRM4	4	220	250	200	123	205
FFRM6	6	287	317	200	123	205
FFRM8	8	354	384	200	123	205
FFRM10	10	421	451	200	123	205
FFRM12	12	488	518	200	123	205



- 01 / Dual Port Ball Valve
- 02 / Top Cover
- 03 / Individual Flow Module
- 04 / Front Cover
- 05 / Flow Circuit



- 06 / Return Circuit
- 07 / Base Frame
- 08 / Cable
- 09 / Flow / Temperature Sensor
- 10 / End Module
- 11 / Pressure / Temperature Sensor
- 12 / End Plate

# ACCESSORIES

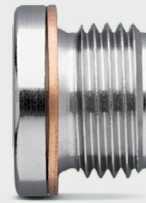
## Manifold / Extension cable

PART NO.	Connection	Length (mm)
FS-EC1000	M8/M8	1000
FS-EC2000	M8/M8	2000
FS-EC2000	M8/M8	5000



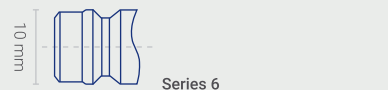
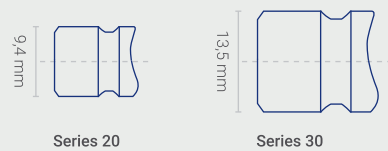
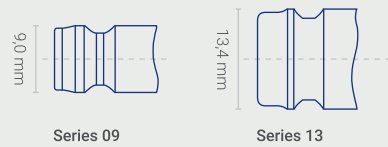
## Blanking Plug

PART NO.	Connection	Seal
SSEC1	1" BSPP	FKM



## Port Connector Plugs

PART NO.	Connection	Size/Series
09NRF	R 1/2"	09 EURO Style
13NRF	R 1/2"	13 EURO Style
20NRF	R 1/2"	20 Int. Style
30NRF	R 1/2"	30 Int. Style
06NRF	R 1/2"	06 Scandinavian Style
10MF	R 1/2"	10 mm Hosetail
13MF	R 1/2"	13 mm Hosetail



# SPECIFICATION

FLOW	Standard Sensor
Measuring range	1-20 l/min (0,27-5,2 gpm) 2-40 l/min (0,53-10,4 gpm)
Accuracy	( $\pm 1 \sigma$ ) in water, $\pm 1 \%$ FS



TEMPERATURE	
Measuring range	0-120 °C (32-248 °F)
Accuracy	15-90 °C (59-194 °F) $\pm 0.5$ K 0-120 °C (32-248 °F) $\pm 1$ K



PRESSURE	
Measuring range	0-10 bar (0-145 psig)
Accuracy	$\pm 2.5 \%$ FS



MATERIALS	
Modules	Nickel Plated Brass
Main Feed	R1"
Circuits	R1/2"
Cover	Stainless Steel

DISPLAY	
Type	Touch
Size	7,1"
Voltage	12-24 Volt.
Data	USB + Ethernet
Communications	VNC / Euromap
Internal memory	Up to 30 days data (FIFO)



Distributor

**MOULDPRO APS**

Baltorpbakken 10  
DK-2750 Ballerup, Denmark  
Phone: **+45 7020 3131**

[www.mouldpro.com](http://www.mouldpro.com)